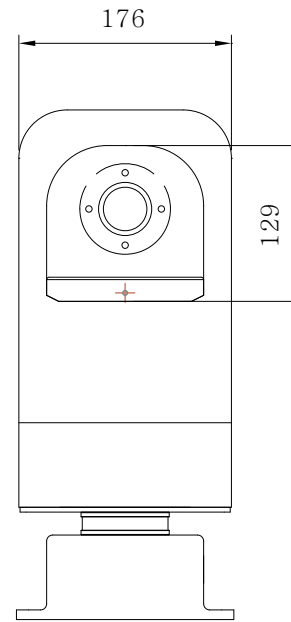
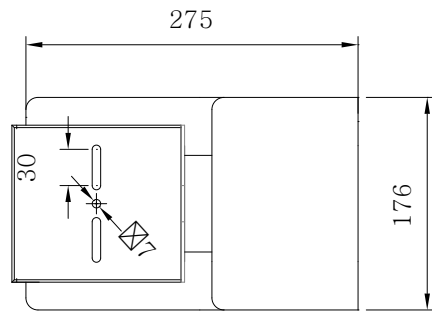


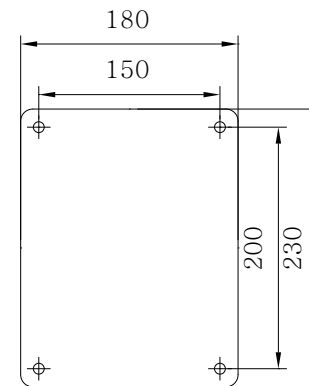
SIDE



FRONT



TOP



BOTTOM

ITEM NO.

SPT-7020

DWG TITLE.

PAN/TILT DRIVER  
SHINWOOTECH.,LTD