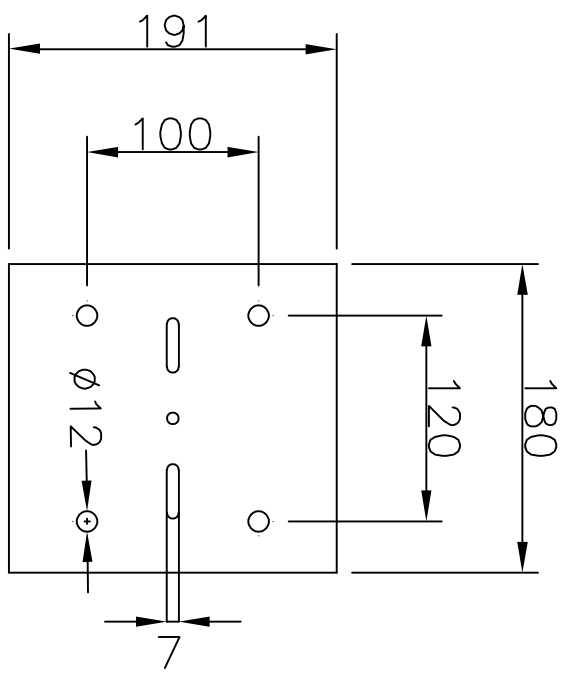
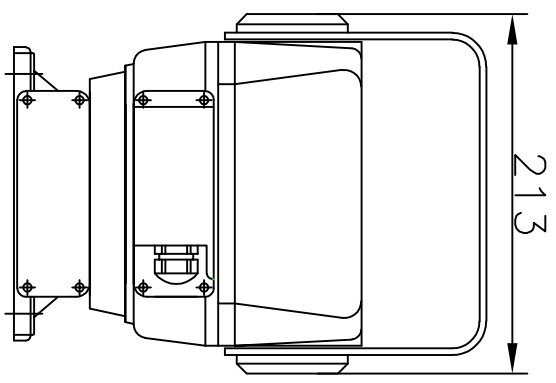


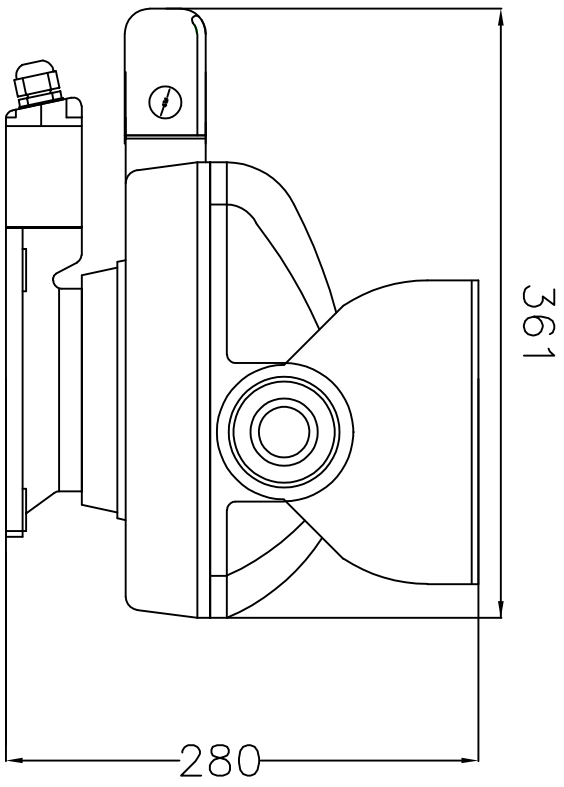
BOTTOM



TOP



FRONT



SIDE

ITEM NO.

SPT-7080

DWG TITLE

PAN/TILT DRIVER

SHINWOOTECH, LTD