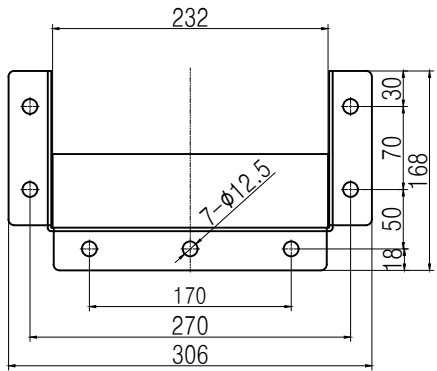
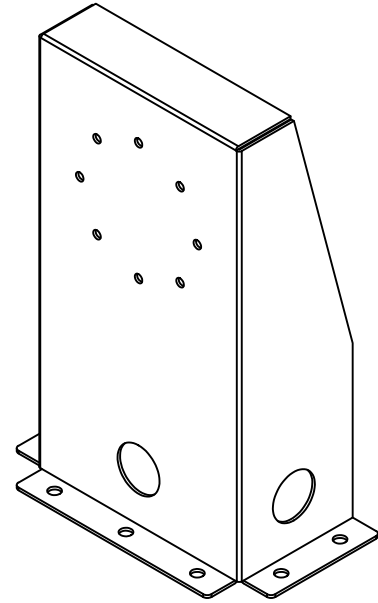
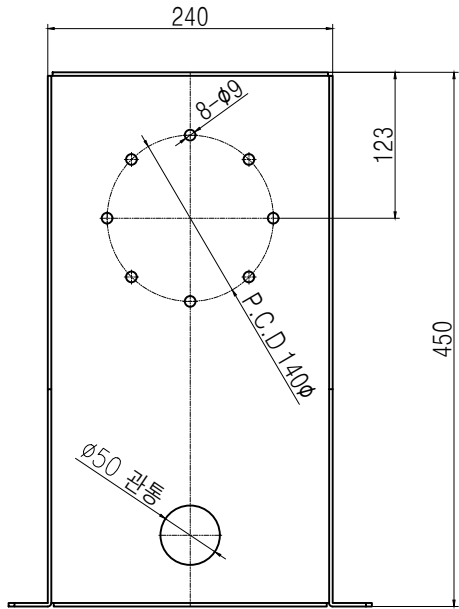


REV.NO.	REVISED	DATE	REMARKS



정격하중 약50KG

Surface Roughness(Ra)	GENERAL TOLERANCE			ITEM No	PART NO.	DESCRIPTION		Q'TY	REMARKS
ISO 468	DIVIDE	TOL I	TOL II	APPROVED		MATERIAL	SUS316L		DRAWING NO.
√ = √, -, ~	~ 4	± 0.3	± 0.05	CHECKED	YOUN H.J.	USED ON	SEPH-101*		-
√ = √, 100S, ∇, N11	4~15	± 0.5	± 0.15	DRAWN	YOUN H.J.	COMPANY			
√ = √, 20S, ∇, N9	16~62	± 0.7	± 0.2	UNIT	mm	SHINWOO TECH		PRODUCT NAME	SHEET
√ = √, 6.3S, ∇, N7	63~250	± 1.2	± 0.3	TOLERANCE	II			SSB-450	A3
	251 ~	± 2	± 0.5	SCALE	1/1			(WALL MOUNT BRACKET)	1/1
	ANGLE	± 2°	± 0.5°						